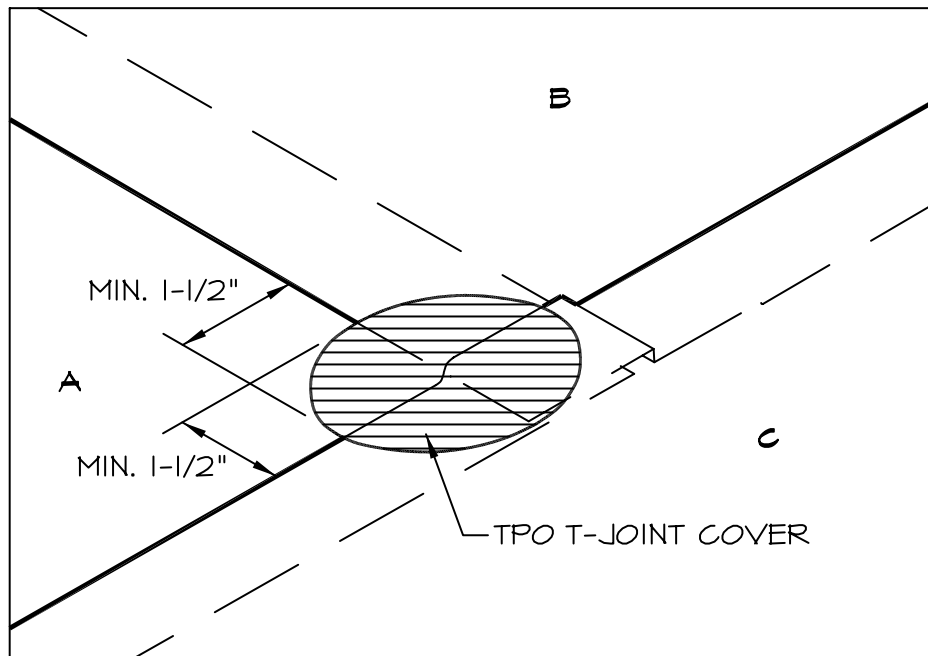


① POSITION SHEETS AND HOT AIR WELD THE .060 INCH THICK MEMBRANE A MINIMUM OF 1-1/2 (40 mm) INCHES.



② INSTALL A 4.5" DIAMETER TPO T-JOINT COVER CENTERED OVER THE SPLICE INTERSECTION ("T-JOINT") AS SHOWN.

SPLICE INTERSECTION WITH  
60 - MIL MEMBRANE

