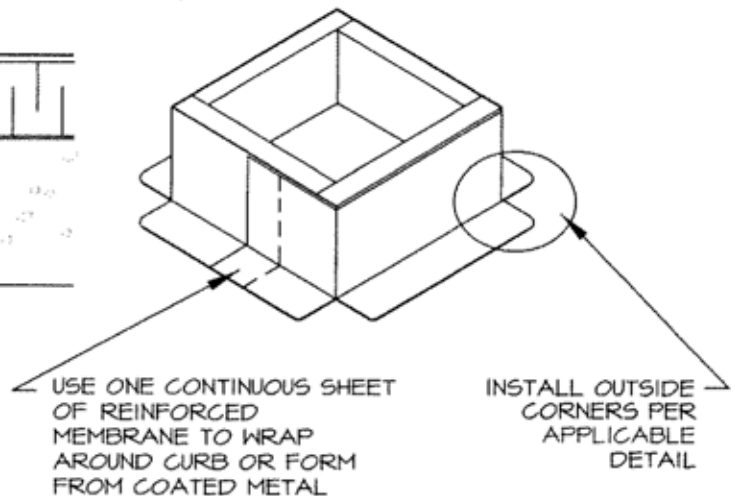
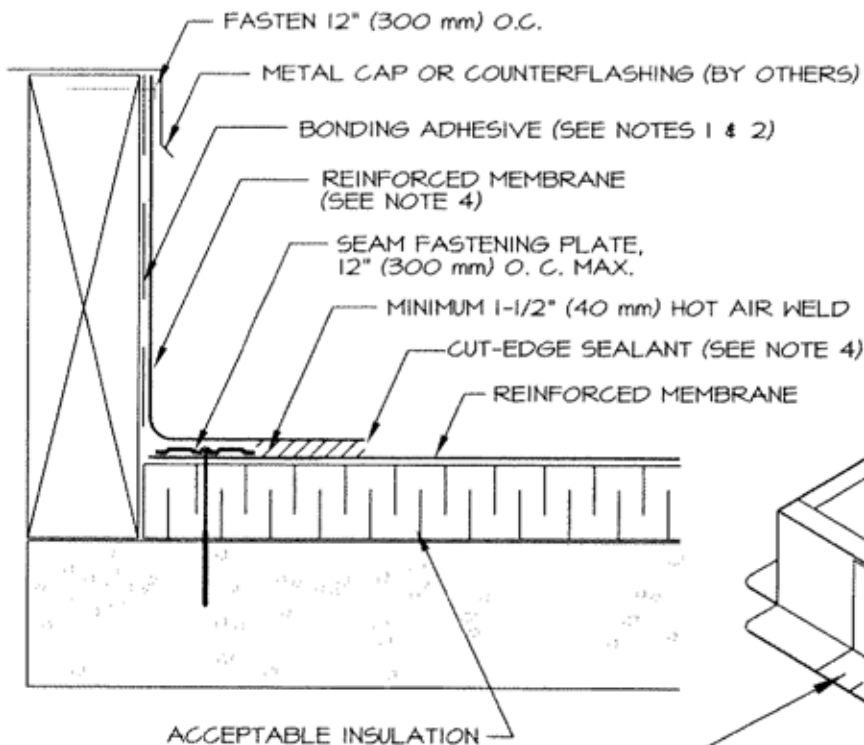


CREASE MEMBRANE AT ANGLE CHANGE TO
LIMIT BRIDGING TO 3/4" (19 mm) MAXIMUM



NOTES:

1. BONDING ADHESIVE IS NOT REQUIRED WHEN FLASHING HEIGHT IS 12" (300 mm) OR LESS AND MEMBRANE IS FASTENED "AS SHOWN" AT TOP OF CURB.
2. WHEN TERMINATION BAR IS USED BENEATH THE COUNTERFLASHING, BONDING ADHESIVE CAN BE ELIMINATED WHEN THE FLASHING HEIGHT IS 18" (500 mm) OR LESS.
3. FLASHING MEMBRANE FASTENED APPROXIMATELY 12" ON CENTER. IF FASTENER PENETRATES METAL COUNTERFLASHING, USE NEOPRENE WASHER OR APPLY WATER CUT-OFF MASTIC UNDER COUNTERFLASHING OR CAULK FASTENER HEAD.
4. APPROXIMATELY 1/8" (3 mm) BEAD OF CUT-EDGE SEALANT IS REQUIRED ON CUT EDGES OF REINFORCED MEMBRANE.
5. REFER TO SPECIFICATION FOR ACCEPTABLE FASTENERS AND PLATES.
6. FOR CORNER FLASHING, REFER TO APPLICABLE DETAIL.

CURB FLASHING



American™
WEATHERSTAR
SINGLE-PLY